

HANSA T6

PRECISION EQUIPMENT



SPECIFICATIONS



CAPACITY
6m³



MAX SPREAD WIDTH
36m Urea / 58m SSP

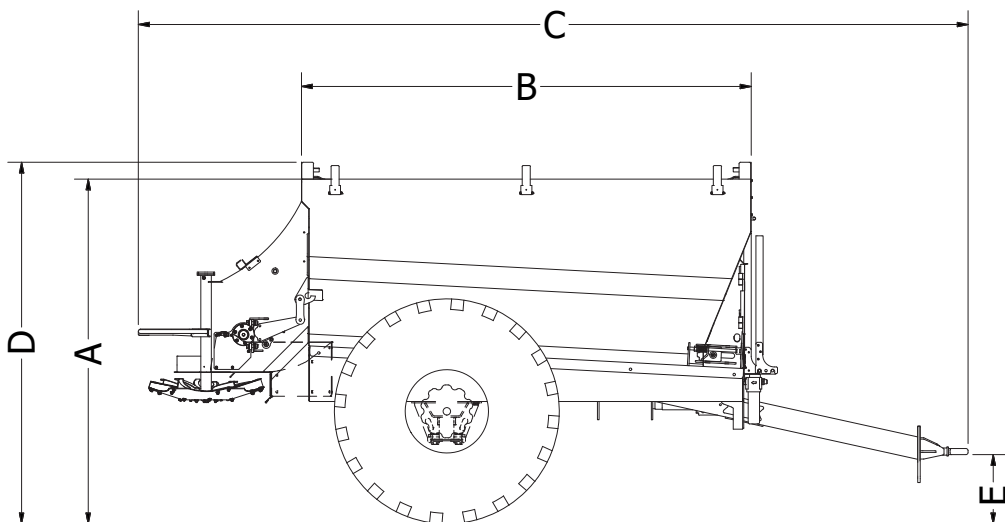
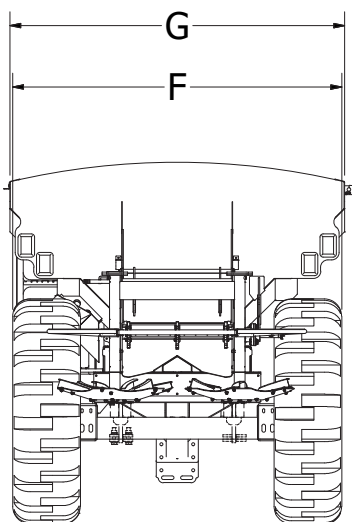


MAX PAYLOAD
7000kg



HANSA T6

PRECISION EQUIPMENT



STANDARD FEATURES AND OPTIONS

Tyres	- 18.4-30 Tractor tyre - 550/60-22.5 Flotation tyre <small>*others available upon request</small>	● ○
Tarp	900 grade rollover with flipover centre pole	○
Load Cells	When selected with ISOBUS rate controller auto rate calibration is enabled.	○
Brakes	Hydraulic Air	○ ○
Rate controller	ISOBUS (auto rate cal when selected w/ scales option) HANSA 4" controller (rate control only, manual spinners) HANSA 7" screen (rate and spinner control) TOPCON TRIMBLE <small>*others available upon request</small>	○ ○ ○ ○ ○
Section control	Twin conveyor for headland and section control (Available with most rate controllers)	□
Suspended drawbar	Rubber absorption pads Hydraulic accumulated	- -
Hydraulic jack		○
Mudguards	Plastic molded	○
Axle	Single 1800mm track BPW 10/335 Single 3000mm track BPW 10/335 Single 2100mm track BPW 10/335 <small>*others available upon request</small>	● ○ ○ ○
Spread Widths	28m urea, 38SSP 36m Urea, 58 SSP	● ○

TECHNICAL DATA

Capacity (L/m³)	6000/6
Tare Weight	2250kg
Max Payload (Kg)	7000 (Based on 550/60-22.5 Flotation Tyre)
Loading Height (A)	2340mm
Bin Length (B)	3400mm
Overall Length (C)	6020mm
Overall Height (D)	2450mm
Hitch Height (E)	450mm
Bin Width (F)	2300mm
Overall Width (tyres) (G)	2250mm (Based on 1800mm track and 18.4-30 tyre)
Standard Wheel track	1800mm
Bin construction (material)	Stainless steel
Conveyor width	750mm wide
Spinner Configuration	Twin hydraulic driven
Spinner drive	48cc Permco Gear motors, 64cc w/ spread upgrade
Conveyor drive	50mm driveshaft, hydraulic drive, 10:1 reduction box
Filtering	High pressure filtering on spinner and conveyor circuit
Warranty	12 months (1 year)
Control	PWM Full Hydraulic
Hydraulic Configuration	Switchable – closed centre load sensing to open centre fixed

● STANDARD
○ OPTION

- NOT APPLICABLE
□ OPTION (factory fitted)